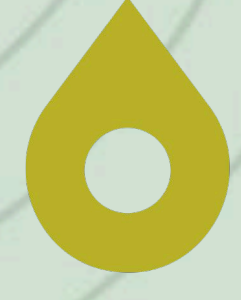


If found, please return to:



Field Guide & Journal

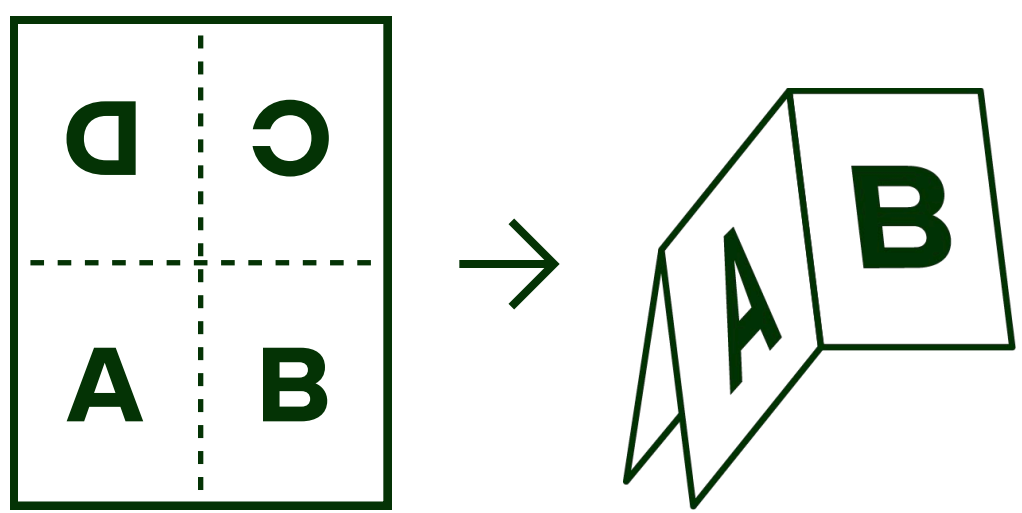
READING CHALLENGE

PDF

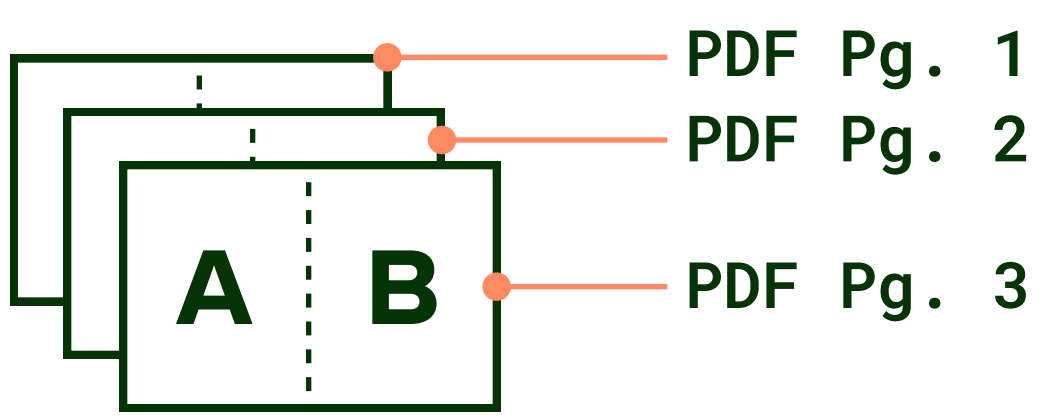
2025

How to Assemble Your Pocket Field Guide

1. Fold each page into quarters.

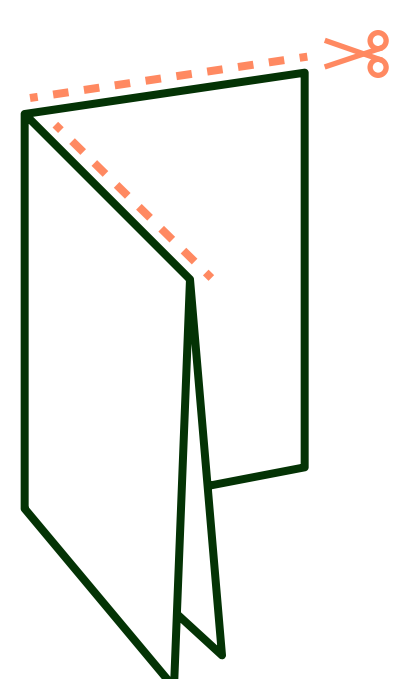


2. With the A-B spreads facing up, stack the 3 pages. Page 1 of this PDF will be on the bottom, page 3 will be the top, i.e. the center of your field guide.



3. For added structure, staple along the center line, or make holes and tie the pages together with string.

Bonus: create extra pages for notes or quotes by cutting along the top folded edges.



01



01

A book about a POC experiencing joy and not trauma



Date Started:

Date Completed:



02

A book you want to read based on the last sentence



Date Started:

Date Completed:



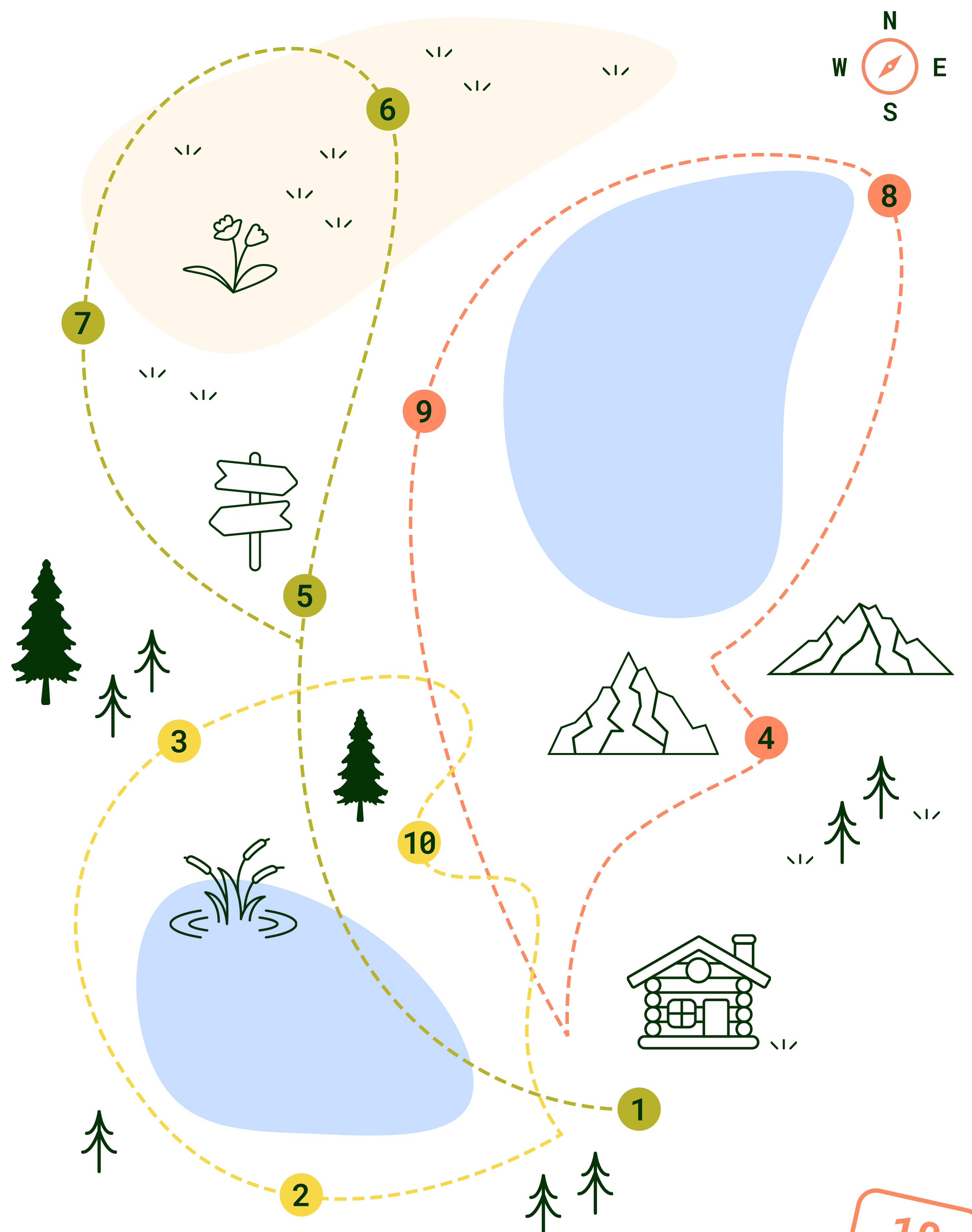
03

A book about space tourism



Date Started:

Date Completed:



10

01	A book by the oldest author in your TBR pile								
02	A book with a left-handed character								
03	A book where nature is the antagonist								
04	A book that features a married couple who don't live together								
05	A book with a title that starts with the letter Y								
06	A book that includes a nonverbal character								
07	A book you have always avoided reading								
08	A dystopian book with a happy ending								
09	A book that features a character with chronic pain								
10	A book of interconnected short stories								

Choose Your Own Challenge APPROVED

04	A book with two or more "book" in the cover or on the cover	07	A book about a cult	05	A book with a snake on the cover or in the title	08	A book under 250 pages	06	A book that fills your favorite prompt from the 2015 PS Reading Challenge	09	What do you hope to gain by the end of this challenge?				
09	A book that features a character going through menopause	12	A book about a road trip	36	A book with silver on the cover or in the title	39	A classic you've never read	10	A book you got for free	13	A book rated less than three stars on Goodreads	37	Two books with the same title (1)	40	A book about chosen family
11	A book mentioned in another book	14	A book about a nontraditional education	38	Two books with the same title (2)	What's your favorite part of this year's challenge?		09	Date Started:	09	Date Started:	09	Date Started:	09	Date Started:
09	Date Completed:	09	Date Completed:	09	Date Completed:	09	Date Completed:	09	Stars	09	Date Completed:	09	Date Completed:	09	Date Completed:
09	Stars	09	Stars	09	Stars	09	Stars	09	Stars	09	Stars	09	Stars	09	Stars



<p>☆☆☆☆☆</p> <p>Date Completed: </p> <p>Date Started: </p>			<p>☆☆☆☆☆</p> <p>Date Completed: </p> <p>Date Started: </p>		<p>☆☆☆☆☆</p> <p>Date Completed: </p> <p>Date Started: </p>
<p>A highly anticipated read of 2025</p>	19	<p>What's been your most satisfying read so far? </p>	<p>A book centering LGBTQ+ characters that isn't about coming out</p>	35	<p>A book featuring an activity on your bucket list</p>
<p>☆☆☆☆☆</p> <p>Date Completed: </p> <p>Date Started: </p>		<p>☆☆☆☆☆</p> <p>Date Completed: </p> <p>Date Started: </p>	<p>☆☆☆☆☆</p> <p>Date Completed: </p> <p>Date Started: </p>		<p>☆☆☆☆☆</p> <p>Date Completed: </p> <p>Date Started: </p>
<p>A book containing magical creatures that aren't dragons</p>	18	<p>A book set in or around a body of water</p>	<p>A book written by an author who is neurodivergent</p>	34	<p>A book about an overlooked woman in history</p>
<p>☆☆☆☆☆</p> <p>Date Completed: </p> <p>Date Started: </p>		<p>☆☆☆☆☆</p> <p>Date Completed: </p> <p>Date Started: </p>			<p>☆☆☆☆☆</p> <p>Date Completed: </p> <p>Date Started: </p>
<p>A book about a run club</p>	17	<p>A book that an AI chatbot recommends based on your favorite book</p>	<p>What's been the most challenging part of this year's challenge? </p>	15	<p>A book where music plays an integral part of the storyline</p>
<p>A book that fills a 2024 prompt you'd like to do over (or try out)</p>	20	<p>A book that is considered healing fiction</p>	<p>A book where the main character is an immigrant or refugee</p>	25	<p>A book that features an unlikely friendship</p>
<p></p> <p>Date Started: </p> <p>Date Completed: </p> <p>☆☆☆☆☆</p>		<p></p> <p>Date Started: </p> <p>Date Completed: </p> <p>☆☆☆☆☆</p>	<p></p> <p>Date Started: </p> <p>Date Completed: </p> <p>☆☆☆☆☆</p>		<p></p> <p>Date Started: </p> <p>Date Completed: </p> <p>☆☆☆☆☆</p>
<p>A book where the main character is a politician</p>	21	<p>A book with a happily single woman protagonist</p>	<p>A book where an adult character changes careers</p>	26	<p>A book about a food truck</p>
<p></p> <p>Date Started: </p> <p>Date Completed: </p> <p>☆☆☆☆☆</p>		<p></p> <p>Date Started: </p> <p>Date Completed: </p> <p>☆☆☆☆☆</p>	<p></p> <p>Date Started: </p> <p>Date Completed: </p> <p>☆☆☆☆☆</p>		<p></p> <p>Date Started: </p> <p>Date Completed: </p> <p>☆☆☆☆☆</p>
<p>A book about soccer</p>	22	<p>What questions do you have for the author of the last book you read? </p>	<p>A book set at a luxury resort</p>	27	<p>A book that reminds you of your childhood</p>
<p></p> <p>Date Started: </p> <p>Date Completed: </p> <p>☆☆☆☆☆</p>			<p></p> <p>Date Started: </p> <p>Date Completed: </p> <p>☆☆☆☆☆</p>		<p></p> <p>Date Started: </p> <p>Date Completed: </p> <p>☆☆☆☆☆</p>